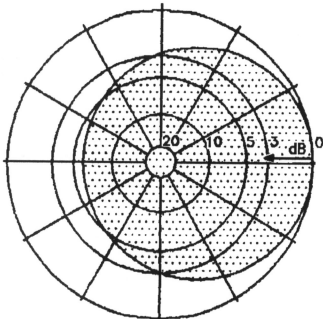


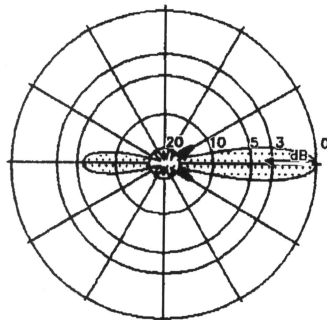
TYPE NO.	WS 301 12 12 8 A: 146 - 174 MHz WS 301 12 12 8 M: 146 - 174 MHz further frequencies on request
POLARIZATION	vertical
IMPEDANCE	50 Ω
GAIN	ref. λ/2 dipole 8 dB in forward direction 2 dB in reverse direction
VSWR	< 1.3, at the limits of the band <1.5
POWER	max. 500 watts
3 dB BEAMWIDTH	horizontal, H plane: 180° vertical, E plane: 20°
TERMINATION	in then junction box WAK 1 ending with N male other termination on request
GROUNDING	all metal parts are DC grounded
DELIVERY	WS 301 ... A: 4 dipoles with junction and box WAK 1 WS 301 ... M: additional with mast flange no. 1 (option) <i>see chapt. 10</i>
MOUNTING	<i>mast-ø</i> <i>clamps (see chapt. 10)</i> 30 - 80 mm WG 11 (standard) 50 - 104 mm WG 12 (option) clamp for other mast-ø on request
MATERIAL	aluminium, screws of stainless steel, weather-resistant plastics

Horizontal
Radiation
Pattern
H Plane

MAST DIPOL

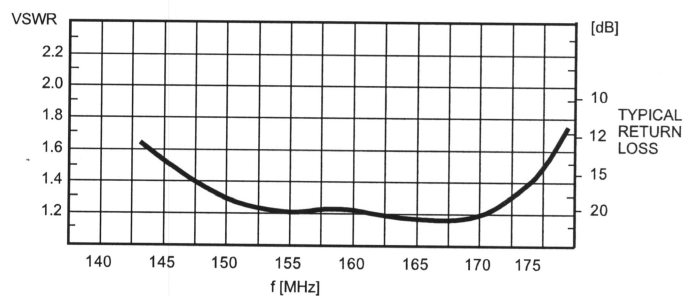


Vertical
Radiation
Pattern
E Plane



WEIGHT
WIND AREA
WIND LOAD

<i>WS 301... A</i>	<i>WS 301 ... M</i>
8.3 kg	17 kg
0.21 m ²	0.43 m ²
270 N (150 km/h)	550 N (150 km/h)
200 N (130 km/h)	412 N (130 km/h)



KW 9-01

WIPIC reserves the right to amend specifications in the light of continuing development.

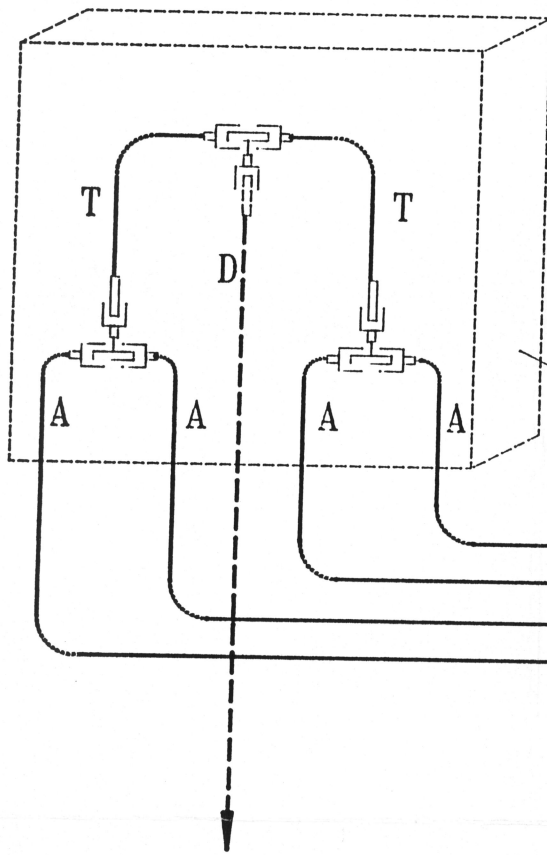
LETRONA AG

Schulstrasse 22, CH-9504 Friltschen
Tel.: +41 071 654 64 64, Fax : +41 071 654 64 65
E-Mail: marketing@letrona.ch

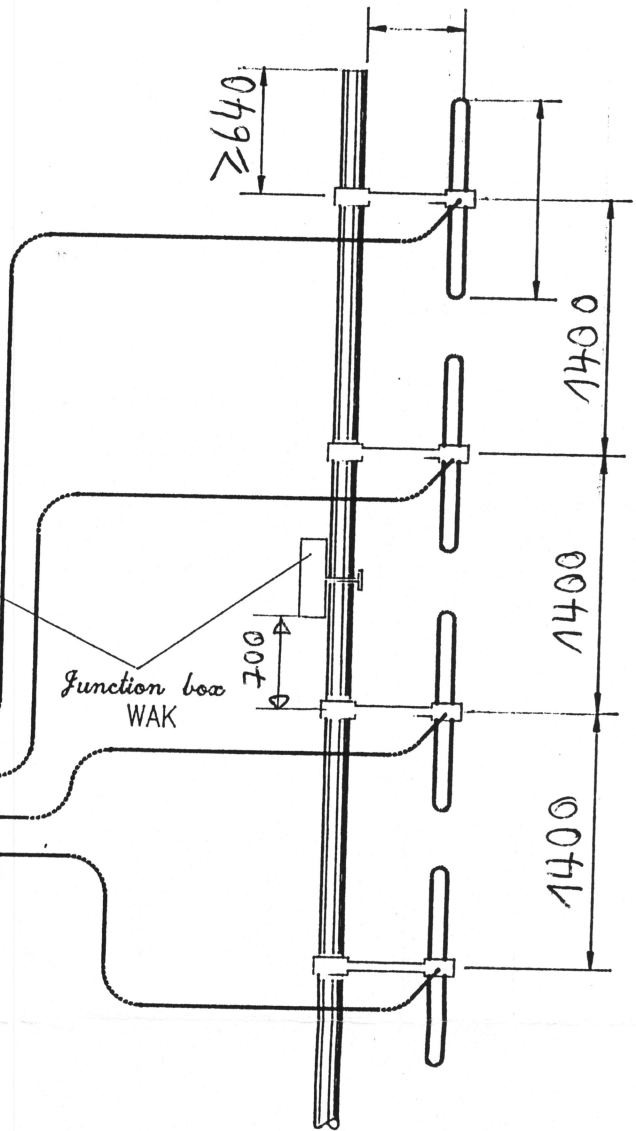
Riedackerstrasse 17, CH-8153 Rümlang
Tel.: +41 01 818 74 50, Fax : +41 01 818 74 51
E-Mail: marketing@letrona.ch

SQS
Management-System
Zertifiziert ISO 9001
Reg. - Nr. 11996

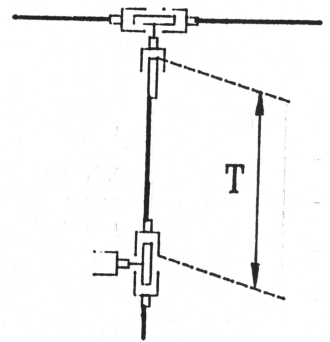
MARKE "DOWN" auf den Antennen immer nach unten!
 Pay attention to the label "DOWN"!



Sender - Empfänger
 transmitter receiver



- A: Antennenkabel $50 \dots \Omega$ A = 3000 mm
 cable to antenna
- T: Transformationskabel $\dots \Omega$ T = 320 mm
 impedance transformer
- D: Anschlusskabel $50 \dots \Omega$ D = \dots mm
 cable to transmitter-receiver



TYP WS 301.12.12.8SP Ant.Nr: 14501. . . F = T_x 144-146. . . MHz
 R_x

DATUM : 12.12.03
 Auftragsnummer:
 Order number: A 03/10.7.868. . .

Vis: (M)

Ersetzt durch:
 Ersatz für :

SCHALTSCHHEMA
 Connection Diagramm

Masstab	Gezeichnet	10.2.1995	AP
	Geprüft		
	Anderungen:		
	Gesehen		



Antennensysteme
 LETRONA AG

CH-8153 Rümlang

EII. 88-812-1